

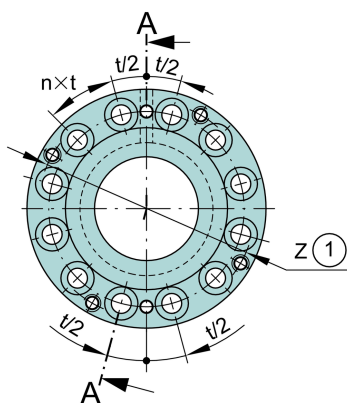
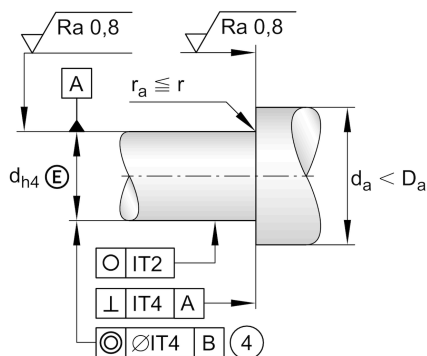
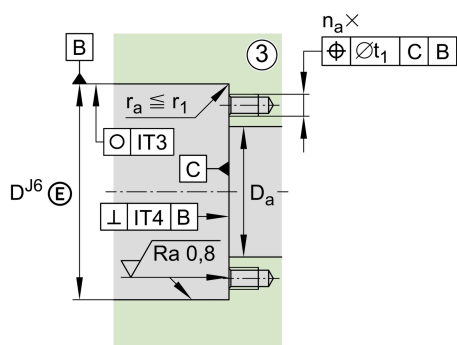
ZARF2590-TV

Needle roller/axial cylindrical roller bearing

Schaeffler ID:
0016827330000

Needle roller/axial cylindrical roller bearings ZARF, double direction, for screw mounting

Technical information

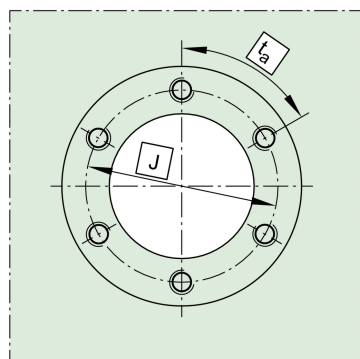
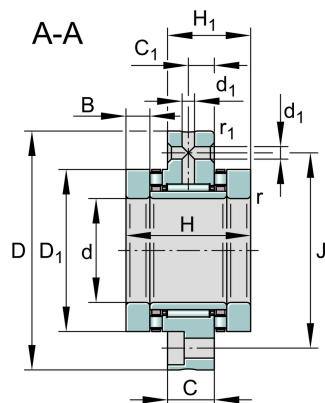


Main Dimensions & Performance Data

| | | |
|------------------------|-------------|---------------------------------------|
| d | 25 mm | Bore diameter |
| D | 90 mm | Outside diameter |
| H | 60 mm | Height |
| C_r | 24,300 N | Basic dynamic load rating, radial |
| C_{0r} | 41,500 N | Basic static load rating, radial |
| C_a | 80,000 N | Basic dynamic load rating, axial |
| C_{0a} | 199,000 N | Basic static load rating, axial |
| C_{ur} | 6,000 N | Fatigue load limit, radial |
| C_{ua} | 18,600 N | Fatigue load limit, axial |
| $n_{G \text{ Grease}}$ | 1,400 1/min | Limiting speed for grease lubrication |
| $n_{G \text{ Oil}}$ | 4,900 1/min | Limiting speed for oil lubrication |
| M_{RL} | 1.6 Nm | Bearing friction torque |
| | 1.36 kg | Weight |

Dimensions

| | | |
|---------------------|------------------------|------------------------------------|
| H_1 | 38 mm | Height outer ring over wave washer |
| c_{aL} | 3,000 N/ μm | Rigidity axial |
| c_{kL} | 800 Nm/mrad | Tilting stiffness |
| C | 18 mm | Width, outer ring |
| | 1 μm | Axial runout |
| C_1 | 10 mm | Distance to lubrication hole |
| D_1 | 62 mm | Rip diameter shaft washer |
| M_A | 55 Nm | Tightening torque nut |
| | 20,790 N | Preload force axial |
| B | 12.5 mm | Width, inner ring |
| r_{min} | 0.3 mm | Minimum chamfer dimension |
| $r_{1 \text{ min}}$ | 0.6 mm | Minimum chamfer dimension |
| d_1 | 3.2 mm | Diameter lubrication hole |
| J | 73 mm | Pitch circle diameter (holes) |
| $n \times t$ | 30 ° | Split |
| t_1 | 0.1 mm | Position bore in the housing |



Mounting dimensions

| | | |
|--------------|---------------------------|--------------------------------------|
| $D_{a \max}$ | 63 mm | Maximum diameter of housing shoulder |
| $d_{a \min}$ | 45 mm | Minimum diameter shaft shoulder |
| | ZMA25/58 | Locknut 1 |
| | AM25 | Locknut 2 |
| n | 12 | Number (screwing holes) |
| | M6 | Screw size |
| M_M | 3.88 kg * cm ² | Mass moment of inertia |
| n | 12 | Number of screws |
| na x ta | 30 ° | Division (screwing holes) |